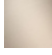


83 045 705

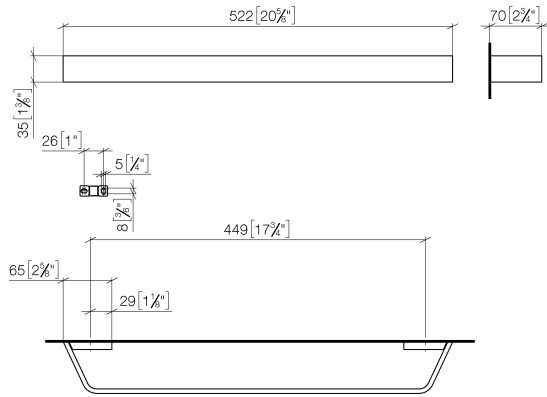


- gauge 449 mm
- width 523mm
- height 35 mm
- 70mm projection

|                                                                                   |                               |               |
|-----------------------------------------------------------------------------------|-------------------------------|---------------|
|  | Chrome                        | 83 045 705-00 |
|  | Brushed Platinum              | 83 045 705-06 |
|  | Dark Chrome                   | 83 045 705-19 |
|  | Brushed Champagne (22kt Gold) | 83 045 705-46 |
|  | Champagne (22kt Gold)         | 83 045 705-47 |
|  | Brushed Dark Platinum         | 83 045 705-99 |

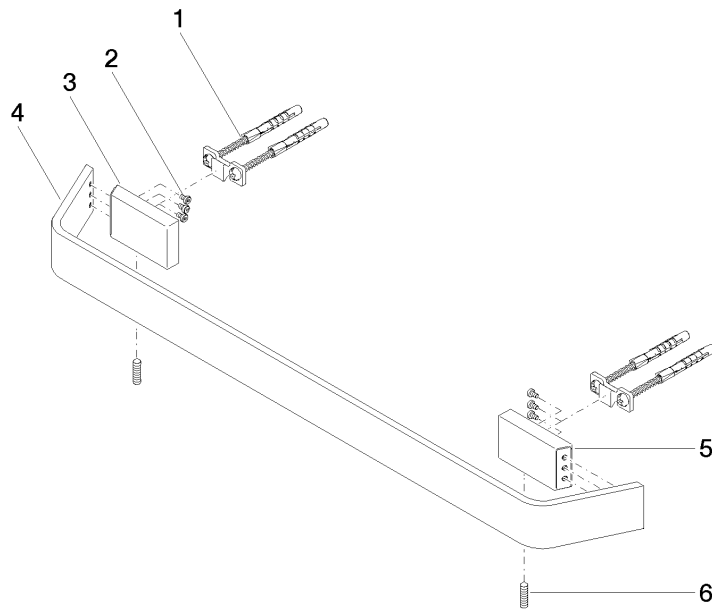
83 045 705

mm [inches]



83 045 705

Parts for other finishes can be found here: [Brushed](#)  
[Platinum](#)



### Spare parts list

| No. | Item Number        | Name       | Quantity used | Delivery time |
|-----|--------------------|------------|---------------|---------------|
| 1   | 05 17 20 758 00 90 | fixing set | 2             | 2             |
| 2   | 09 30 30 191 90    | screw      | 6             | 2             |
| 3   | 08 17 70 500-00    | holder     | 1             | 10            |
| 4   | 08 17 70 551-00    | bar        | 1             | 10            |
| 5   | 08 17 70 501-00    | holder     | 1             | 10            |
| 6   | 04 31 11 113 00 90 | pin        | 2             | 2             |